

# DIAMOND

## Fiber Optic Components

### CABLE ASSEMBLIES AND ADAPTERS

Diamond has developed the new **DM4 (Multipurpose Termini)** that is the core of our HE-2000®, MIL-38999 DM4 size 13 and MIL-83526 DM4 fiber optic connectors.

The hybrid (FO – electrical) four channels DM4 insert is based on standard 2.5mm factory-terminated and measured fiber optic Crocodile Alberino HE (Harsh Environment) and allows customers to assemble precision-engineered termini to delivering low data loss and reliable, repeatable performance over long distances in many applications. This can be performed with the Zeus D50 HE fusion splicer from Diamond.

Further to the optical termini, Diamond also developed the electrical termini with the same dimension.

### CHARACTERISTICS OF DM4

- ▶ Based on standard 2.5-mm Alberinos with integrated springs to prevent termini separation
- ▶ Lensed Ferrule 1.7mm Alberinos
- ▶ Up to 4 channels
- ▶ Hybrid, FO - Electrical
- ▶ Genderless mating and self-aligning design
- ▶ Easy front-face ferrule access for cleaning & inspection
- ▶ Easy termini insertion and removal for field termination and repair

### Particularly designed for optical applications, accepting electrical contacts

- ▶ Precise and repeatable pre-alignment, thanks to the well dimensioned hollow pins
- ▶ Interacting, space saving pre-alignment hollow pins
- ▶ Resilient alignment sleeve protected in the hollow pre-alignment pins
- ▶ Alignment sleeves singularly removable for easy cleaning
- ▶ Full protection of the optical elements from all external influences such as rotational, bending and/or lateral stress
- ▶ Possibility of mechanical keying

### FEATURES OF DM TERMINI

- ▶ Compatible with several fibre types such as HCS, MM, SM, PM, Small core fibre and PS technology
- ▶ Available in PC and APC version
- ▶ Lensed Ferrule SM (9µm)
- ▶ Steady and repeatable low IL and High return loss (when APC polished)
- ▶ High and steady ER when terminated with PM fibre
- ▶ Compatible with tight cable construction, semi loose cable/fibre construction
- ▶ Field repair and termination available with the Diamond Fusion Crocodile Alberino HE
- ▶ Electrical pins 20 AWG



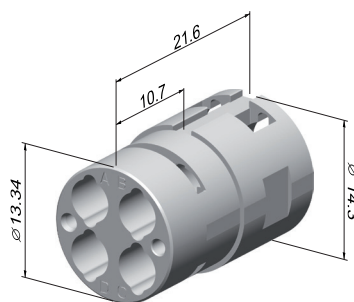
DIAMOND SA | Via dei Patrizi 5 | CH-6616 Losone - Switzerland  
Tel. +41 58 307 45 45 | e-mail info@diamond-fo.com

[www.diamond-fo.com](http://www.diamond-fo.com)

## DM4



DM4 OEM Insert



DM4 Adapter



DM Termini (Optical – electrical termini)



2.5mm Crocodile Fusion Alberino HE



1.7mm Crocodile Fusion Lensed Ferrule

Specifications subject to change  
without notice

BDD 1951595 08\_19

## FIBER OPTIC CONNECTORS TERMINABLE WITH THE DM4 (MULTIPURPOSE TERMINI)



HE-2000®



MIL-38999 DM4 size 13

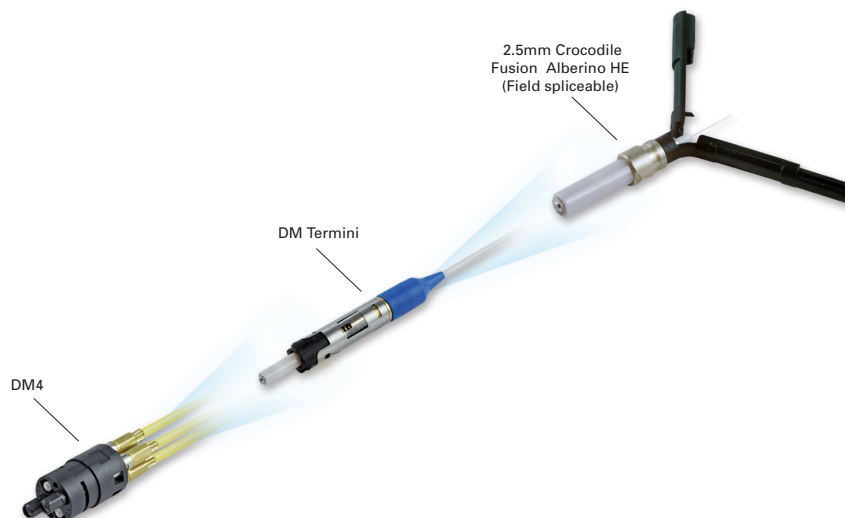


MIL-83526 DM

## DIAMOND ZEUS D50 HE FUSION SPLICER FOR FIELD INSTALLATION AND REPAIR

### FEATURES AND BENEFITS OF THE ZEUS D50 HE KIT

- ▶ Complete set of all tools required for full termination process starting from cable preparation to connector assembly (Including cleaver and automatic stripper with heated jaws for tough secondary coating - 900 µm)
- ▶ Suitable for use with 3mm-8mm OD multi-channel military and outdoor cables
- ▶ Special cable clamps on bearing slides for secure, easy, and proper cable handling
- ▶ Removable work plate – compatible with stand
- ▶ Hard protective case for harsh environments, IP65 rated
- ▶ Total weight: 15 kg



### ORDER INFORMATION

Please contact your nearest local Diamond representative or fill in the contact form available on the [www.diamond-fo.com](http://www.diamond-fo.com) website.